

# BLU-VUE 700 TITANIUM - HIGH RESOLUTION CAMERA

QUALITY YOU CAN COUNT ON, INTEGRITY YOU CAN TRUST.

Lights Camera Action, LLC's diversification is a direct result of listening to its customers. Although we utilize the patent pending TriPlex™ process... sometimes the customer is more at ease with Titanium.

Lights Camera Action, LLC updated the Blu-Vue series to the new 700 TV line technology and placed it in a Titanium housing... the ultimate in durability in the oceanographic environment. The Blu-Vue 700 Titanium color camera exemplifies the quality design and craftsmanship our customers have come to expect.

Depth rated to 1,000 feet a complete Blu-Vue 700 Titanium 4-100 camera system with 100' of cable and controller is less than 2,800 dollars!

We stand behind the Blu-Vue Titanium series camera with a one-year material and workmanship warranty. No matter where you use the Blu-Vue Titanium camera, Lights Camera Action, LLC is committed to providing equipment quality you can count on and integrity you can trust.

Contact Lights Camera Action, LLC to learn more about the Blu-Vue series camera today!



## APPLICATIONS:

- † Underwater structure inspections (Dams, pillars, pipe inlets, etc.)
- † Search and Rescue Operations
- † Nuclear Utility Inspections
- † Fisheries
- † Oceanographic Research
- † ROV Projects
- † Machine / Robotic Inspections
- † Scuba Diving Observation
- † Manufacturing Quality Control
- † Laboratory Research



**CCU-100** (Front)  
**Power Control**



**CCU-150** (Front)  
**Power & Light Control**



**CCU**  
(rear plate)

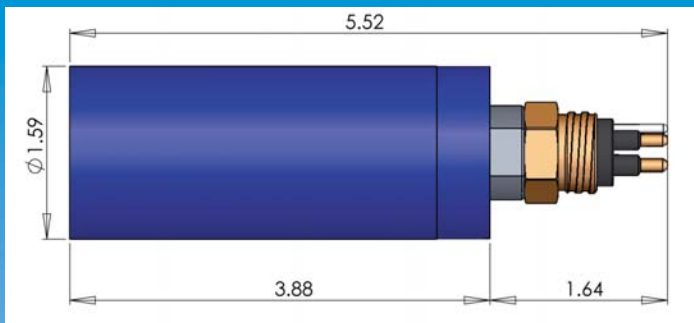
BLU-VUE 700 TITANIUM

# BLU-VUE 700 TITANIUM SPECIFICATIONS

BLU-VUE 700 TITANIUM

## MECHANICAL

- ✦ Diameter ..... 1.59" (40.39mm)
- ✦ Length with: .....
  - PMCBH Ti Connector 5.52" (140.21mm)
  - LPMBH Ti Connector 4.75" (120.65mm)
- ✦ Weight ..... 0.65 lb (0.295 kg)
- ✦ Housing ..... Titanium
- ✦ Optics ..... 3.6mm (standard)
  - Lens Options ..... 6mm, 8mm
- ✦ Front Window ..... Glass
  - Window Option ..... Acrylic
- ✦ Light Options ..... (Internal Light Ring)
  - 6 Super Bright White LEDs
  - 7 IR (infrared) LEDs



## ELECTRICAL

- ✦ Image Device 1/3" 960H SONY ExView HAD II CCD
- ✦ Horizontal Resolution ..... 700 TV lines
- ✦ Effective Pixels ..... 976 (H) x 494 (V)
- ✦ Sync Type ..... Internal
- ✦ Electronic Shutter ..... 1/60~1/100,000sec (Auto)
- ✦ Gain Control ..... 4dB ~ 30 dB (Auto)
- ✦ Signal to Noise Ratio ..... > 52dB (AGC Off)
- ✦ Illumination Sensitivity ..... 0.005 Lux F:1.2
- ✦ Power Supply ..... 12 VDC
- ✦ Power Consumption:
  - Camera with lights on ..... <250mA
  - Camera with lights off ..... <150mA
- ✦ Video Output ..... 1Vp-p 75Ω Composite

## ENVIRONMENTAL

- ✦ Operating Temp ..... 23° to 122° F (-10° to 50° C)
- ✦ Storage Temperature ... -4° to 140° F (-20° to 60° C)
- ✦ Depth Certification ..... 1000 ft. (305m)
- ✦ Radiation Tolerance . 2x10<sup>4</sup> (total dose)/200 rad/hr

## CABLE

- ✦ Diameter ..... 0.25" (6.35mm)
- ✦ Jacket ..... Yellow, Polyurethane

## CAMERA CONTROL UNIT (CCU)

- ✦ Housing ..... Extruded Aluminum
- ✦ Dimensions ..... 5" x 3" x 1.75" (127mm x 76mm x 45mm)
- ✦ Weight (CCU-150) ..... 0.56 lb (0.254 kg)

## TRIPLEX™ CAMERA SYSTEM PRICING

### BLU-VUE 700 TITANIUM 3-100

**BASIC POWER CONTROL PACKAGE \$2,745.00**

- ✦ **BLU-VUE 700 TITANIUM CAMERA (\$1845)**  
Choice of Lens & LEDs
- ✦ **100 FT POWER & VIDEO CABLE (\$650)**
- ✦ **CCU-100 (\$250)**  
INCLUDES: 12 VDC Power Supply  
6 FT. Video Output BNC Cable

### BLU-VUE 700 TITANIUM 4-100

**POWER & LIGHT CONTROL PACKAGE \$2,865.00**

- ✦ **BLU-VUE 700 TITANIUM CAMERA (\$1,865)**  
Choice of Lens & LEDs
- ✦ **100 FT POWER & VIDEO CABLE (\$650)**
- ✦ **CCU-150 (\$350)**  
INCLUDES: 12 VDC Power Supply  
6 FT. Video Output BNC Cable

WE ACCEPT VISA, MASTERCARD, AMERICAN EXPRESS & DISCOVER

FOR MORE INFORMATION CALL:

**480 345-0642**

Fax: 480 345-0644



1730 W SUNRISE BLVD • SUITE B-102 • GILBERT, AZ 85233 • TEL: (480) 345-0642 • FAX: (480) 345-0644  
E-MAIL: SALES@LIGHTS-CAMERA-ACTION.NET WEB: HTTP://WWW.LIGHTS-CAMERA-ACTION.NET