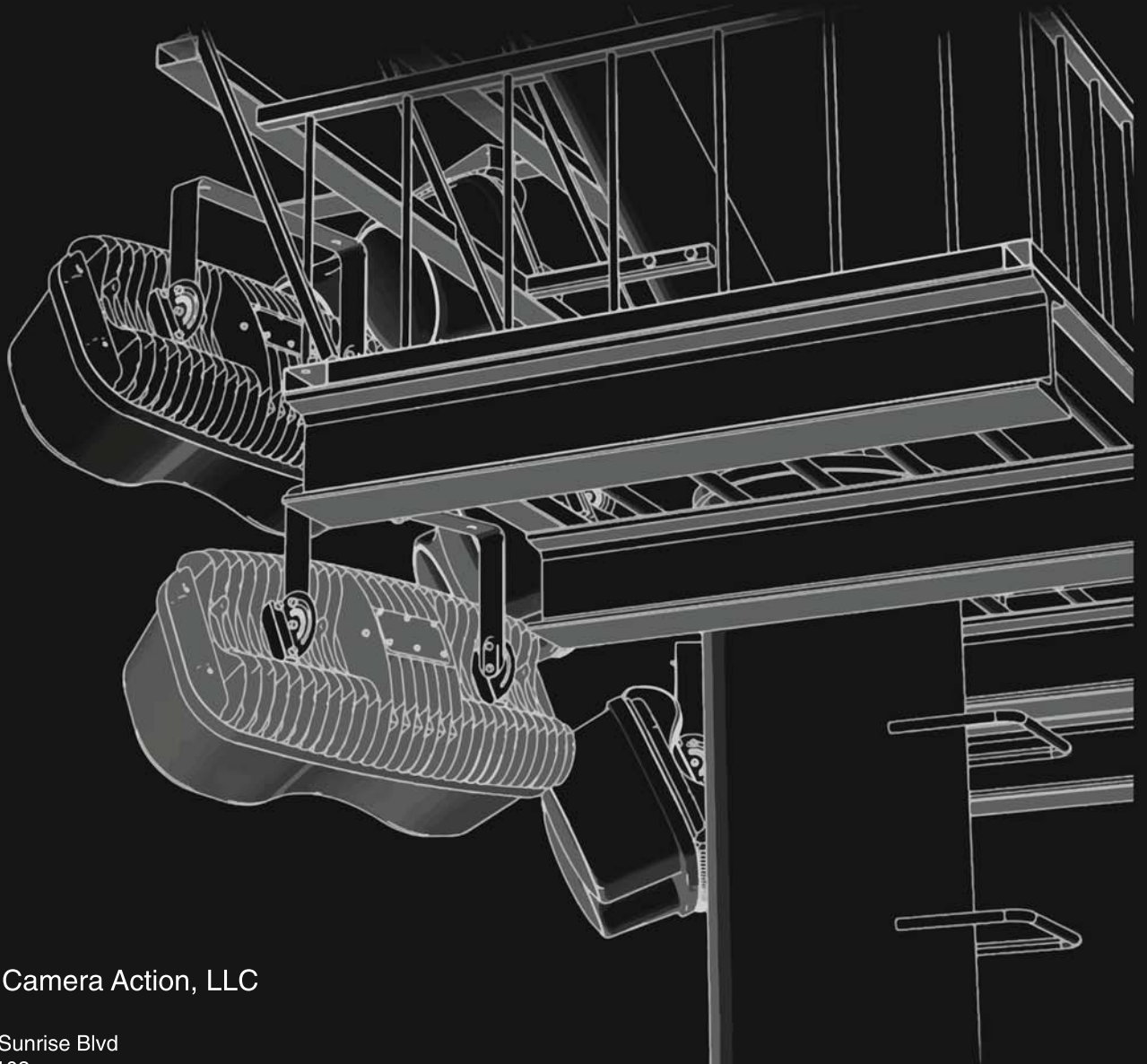


## LED Spot / Flood Lights



Lights Camera Action, LLC

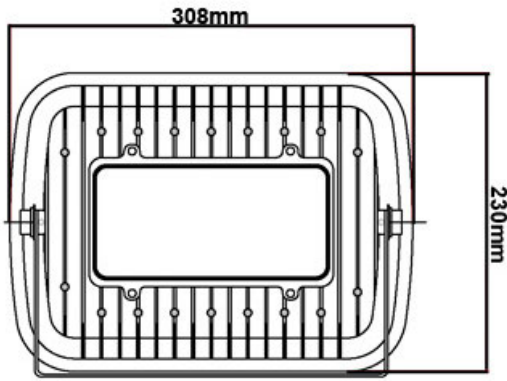
1730 W Sunrise Blvd  
Suite B-102  
Gilbert AZ 85233-5023

ION LED Spot Light



Location: Fox Studio, Australia  
Item: 70W Spot Light, IONFL-70A

## ION LED Spot Light



### Features & Characteristic:

- 3 year warranty
- Osram/Cree LED chips, 110 lm/w system efficiency\*
- 80% lumen maintenance over 50,000hours
- Built-in surge protection
- Built-in thermal protection
- Maintenance free
- Mercury free, No UV or IR
- Universal input without additional adapter , 80-315Vac, 80-400Vdc
- Instant start and flicker free
- High uniformity and color rendering

### Typical Application:

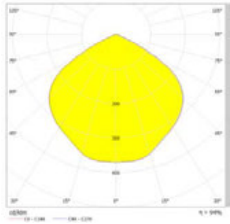
Floodlighting | Architecture | Plaza | Stadium & Sports Field | Tunnel | Park | Yard | Plant Area | Garden | Parking Area | Billboard | Warehouse | Show Room | Cold Storage

Model:	IONFL-30A	IONFL-50A	IONFL-70A
Power	25W	45W	63W
Consumption:	5W	5W	7W
	Total: 30W	50W	70W
Initial Lumen Flux (6000K):	3300 lm	5500 lm	7700 lm
Replace HID Lamp:	50-100W	100-150W	150-200W
Dimension:	308x230x162mm		
Net Weight:	4kg (8.8lbs)		
Color Temperature:	4000K (warm white) / 6000K (cool white)		
Color Rendering:	≥Ra75		
Working Life:	≥50000Hrs		
Housing Material:	Aluminum		
IP Class:	IP 65 (Upgradeable to IP 67)		
Insulation Class:	Class I (Upgradeable to Class II)		
Working Temperature:	-40C ~ 60C / -40F ~ 140F		
Working Humidity:	10% ~ 95%		
AC Input:	80 ~ 315Vac		
DC Input:	80 ~ 400Vdc, (12Vdc, 24Vdc and other input available on request)		
THD:	<10%		
Power Factor:	≥0.98		
Warranty:	3 year		

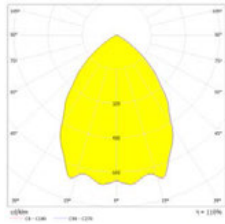
\* 110lm/w only initial flux efficiency for the 6000K LED with 100° reflector.

## ION LED Spot Light

**Beam Available:**



100° Reflector



60° Reflector

**Order Code: ION-70A-6K-L100-120Vac-3Y**

<b>IONFL</b>	<b>- XX</b>	<b>- XX K</b>	<b>- L XX</b>	<b>- XX</b>	<b>- XX</b>
<b>Model</b>					
<b>Color</b>	K = Thousand Kelvin				
<b>Beam</b>	L = 60° Beam Angle	H = 100° Beam Angle			
<b>Input</b>	120Vac = 80-315Vac	347Vac = 100-380Vac	12Vdc = 10-20Vdc	24Vdc = 20-40Vdc	
<b>Warranty</b>	3Y = 3 Year Warranty				