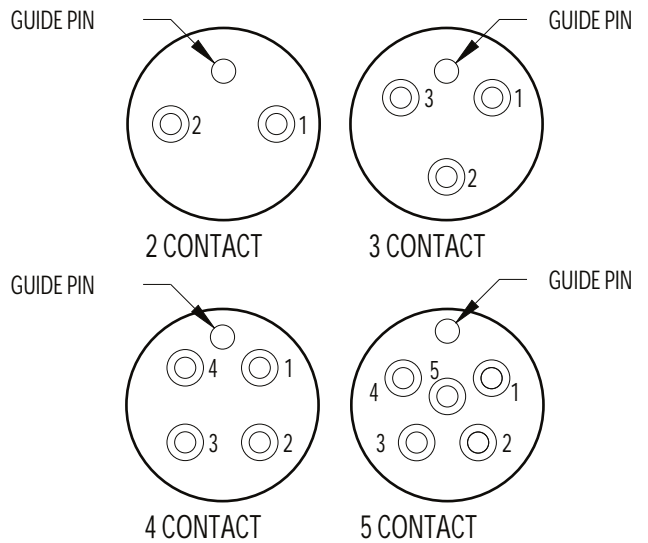
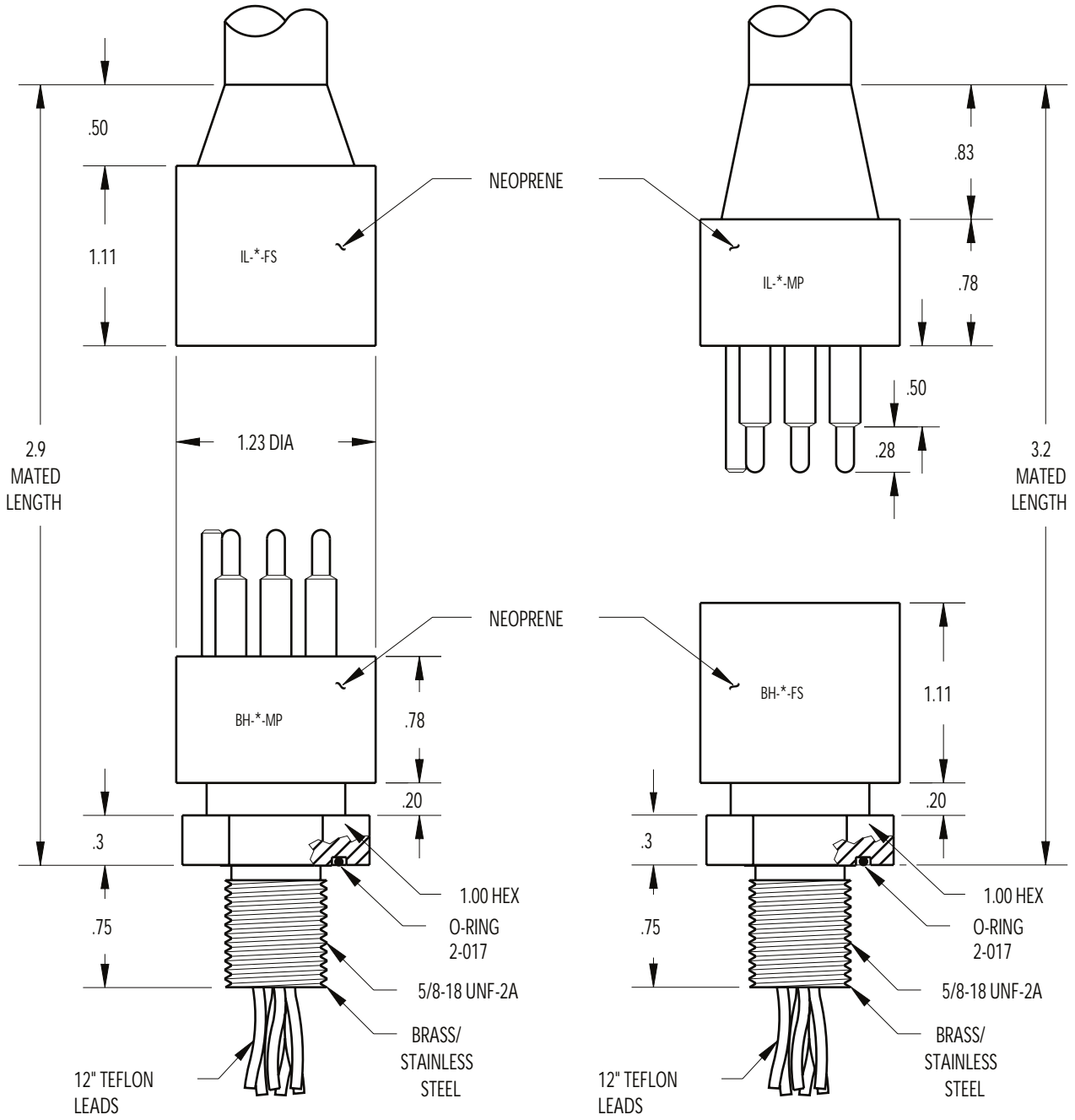
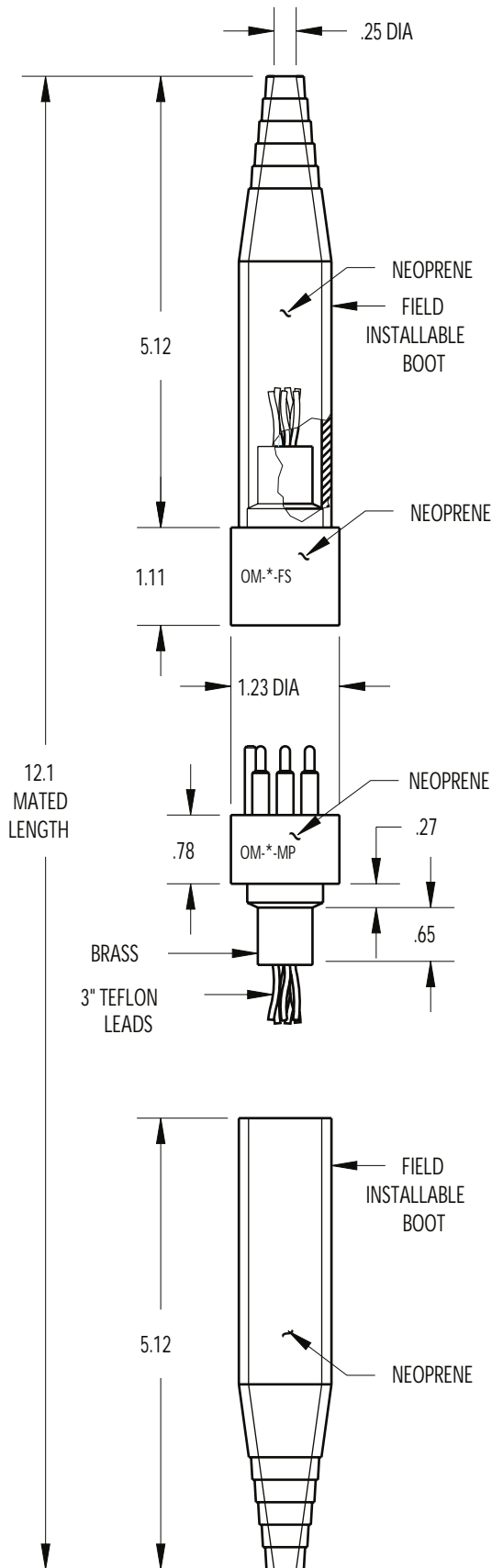


**CONTACT  
CONFIGURATION**  
(MP FACE VIEWS)

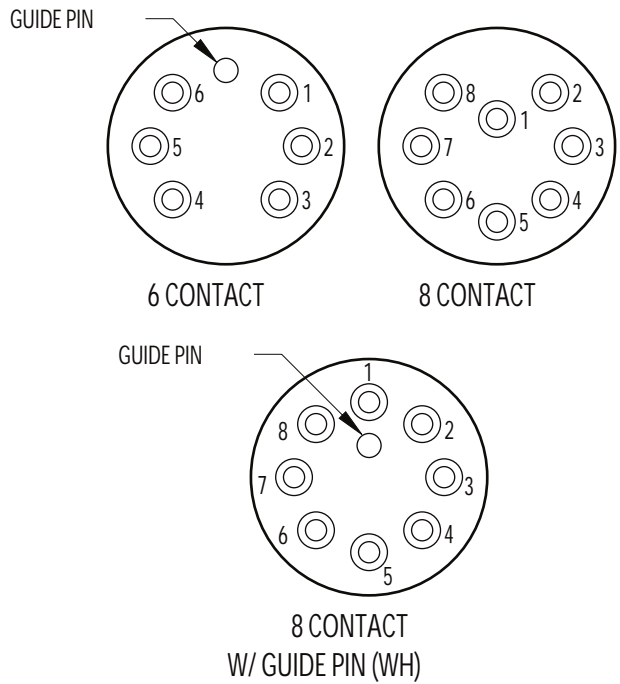


MOUNTING TORQUE FOR BH-FS/MP	not to exceed 100 in/lbs
MATED PRESSURE RATING (psi)	20,000
DUMMY PLUG FOR BH-FS, IL-FS, OM-FS	DC -* -MP
DUMMY PLUG FOR BH-MP, IL-MP, OM-MP	DC -* -FS
NOTE: Delrin locking sleeves available (DLSA-M or F).	
* Specify number of contacts.	



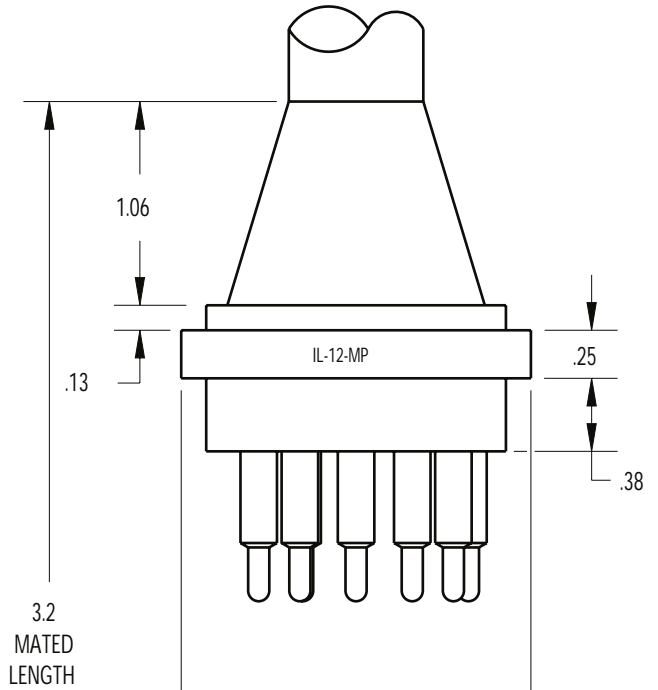
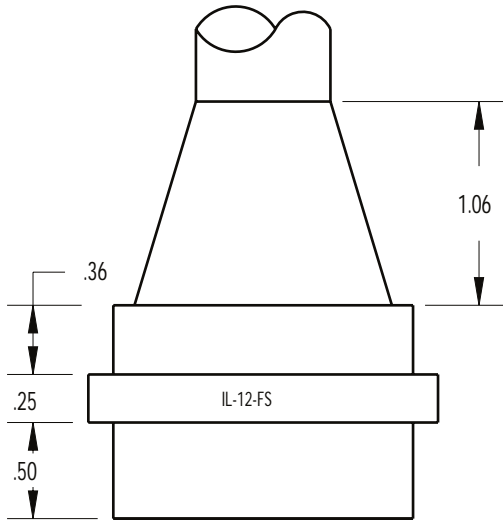


CONTACT  
CONFIGURATION  
(MP FACE VIEWS)



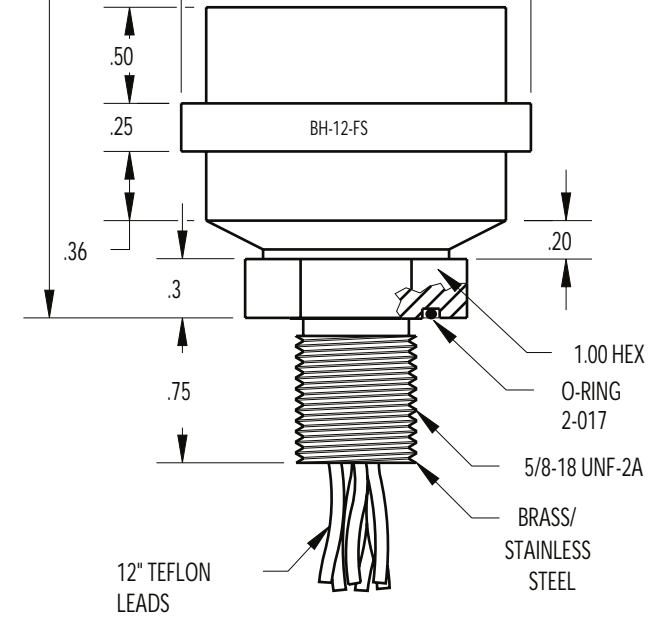
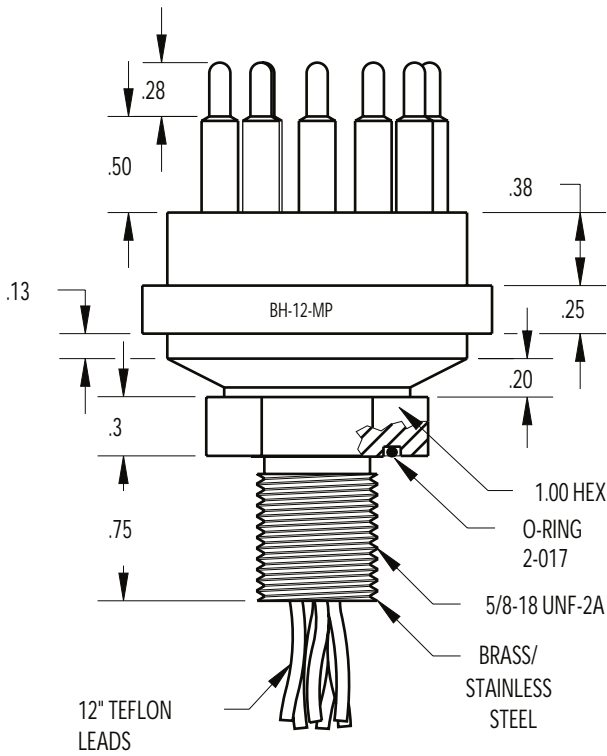
MOUNTING TORQUE FOR BH-FS/MP	not to exceed 100 in/lbs
MATED PRESSURE RATING (psi)	20,000
DUMMY PLUG FOR BH-FS, IL-FS, OM-FS	DC*-MP
DUMMY PLUG FOR BH-MP, IL-MP, OM-MP	DC*-FS

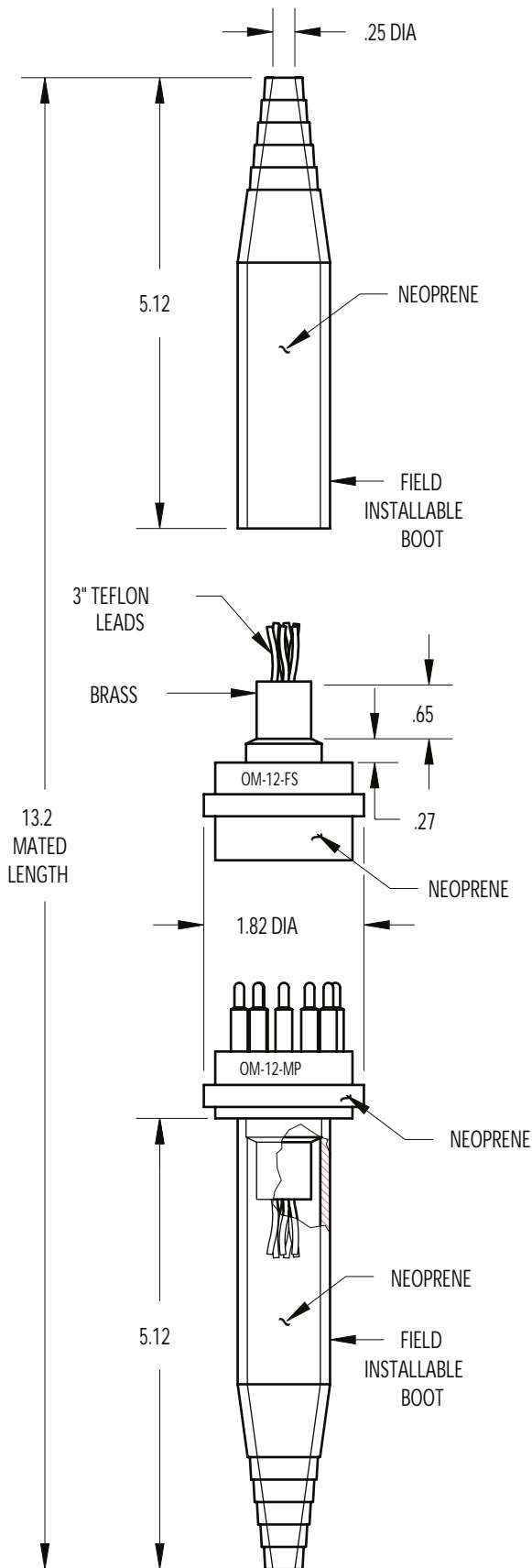
NOTE: Delrin locking sleeves available (DLSB-M or F).  
\* Specify number of contacts.



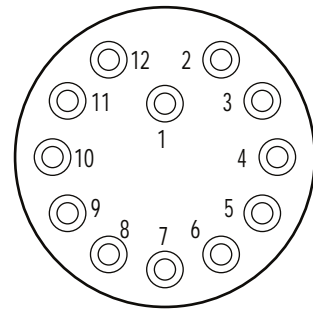
3.2  
MATED  
LENGTH

1.82 DIA





CONTACT  
CONFIGURATION  
(MP FACE VIEW)



12 CONTACT

MOUNTING TORQUE FOR BH-FS/MP	not to exceed 100 in/lbs
MATED PRESSURE RATING (psi)	20,000
DUMMY PLUG FOR BH-FS, IL-FS, OM-FS	DC-12-MP
DUMMY PLUG FOR BH-MP, IL-MP, OM-MP	DC-12-FS
NOTE: Delrin locking sleeve available (DLSC-M or F).	