

# 700TVL HIGH RESOLUTION PLUS TRIPLEX™ DURABILITY

QUALITY YOU CAN COUNT ON, INTEGRITY YOU CAN TRUST.

Lights Camera Action, LLC increases both quality and technology while holding pricing!

Lights Camera Action, LLC is updating the new technology of the Blu-Vue 700 TriPlex™... the ultimate in durability. The Blu-Vue 700 high resolution color camera exemplifies the quality design and craftsmanship our customers have come to expect. We have added the patent pending TriPlex™ process giving this aluminum bodied camera oceanographic durability.

Tested at San Antonio SeaWorld, the main housing and back retaining ring of the Blu-Vue were TriPlex processed. The threads and the back connector slug were hard anodized. The result was that within 30 days, corrosion was visible on the hard anodized surfaces. After 6 months the slug containing the connector at the rear of the camera was corroded away but the body of the camera with TriPlex processing was still pristine.

A complete 1,000 ft. depth rated Blu-Vue 700 TriPlex 4-100 camera system with 100' of cable and controller is less than 2,000 dollars!

We stand behind the Blu-Vue Tri-Plex series camera with a one-year material and workmanship warranty. No matter where you use the Blu-Vue Tri-Plex camera, Lights Camera Action, LLC is committed to providing equipment quality you can count on and integrity you can trust.

Contact Lights Camera Action, LLC to learn more about the Blu-Vue TriPlex series camera today!



## APPLICATIONS:

- ✦ Underwater structure inspections (Dams, pillars, pipe inlets, etc.)
- ✦ Search and Rescue Operations
- ✦ Nuclear Utility Inspections
- ✦ Fisheries
- ✦ Oceanographic Research
- ✦ ROV Projects
- ✦ Machine / Robotic Inspections
- ✦ Scuba Diving Observation
- ✦ Manufacturing Quality Control
- ✦ Laboratory Research



**CCU-100** (Front)  
**Power Control**



**CCU-150** (Front)  
**Power & Light Control**

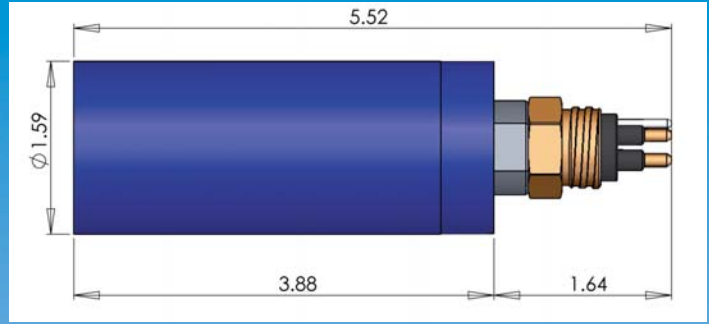


**CCU**  
(rear plate)

# BLU-VUE 700 TRIPLEX™ SPECIFICATIONS

## MECHANICAL

- ✦ Diameter ..... 1.59" (40.39mm)
- ✦ Length with: .....
  - MCBH Connector 5.52" (140.21mm)
  - LPMBH Connector 4.75" (120.65mm)
- ✦ Weight ..... 0.65 lb (0.295 kg)
- ✦ Housing ..... TriPlex processed 6061 Aluminum (see www.triplexllc.net)
- ✦ Optics ..... 3.6mm (standard)
  - Lens Options ..... 6mm, 8mm
- ✦ Front Window ..... Glass
  - Window Option ..... Acrylic
- ✦ Light Options ..... (Internal Light Ring)
  - 6 Super Bright White LEDs
  - 7 IR (infrared) LEDs



## ELECTRICAL

- ✦ Image Device 1/3" 960H SONY ExView HAD II CCD
- ✦ Horizontal Resolution ..... 700 TV lines
- ✦ Effective Pixels ..... 976 (H) x 494 (V)
- ✦ Sync Type ..... Internal
- ✦ Electronic Shutter ..... 1/60~1/100,000sec (Auto)
- ✦ Gain Control ..... 4dB ~ 30 dB (Auto)
- ✦ Signal to Noise Ratio ..... > 52dB (AGC Off)
- ✦ Illumination Sensitivity ..... 0.005 Lux F:1.2
- ✦ Power Supply ..... 12 vdc
- ✦ Power Consumption:
  - Camera with lights on ..... <250mA
  - Camera with lights off ..... <150mA
- ✦ Video Output ..... 1Vp-p 75Ω Composite

## ENVIRONMENTAL

- ✦ Operating Temp ..... 23° to 122° F (-10° to 50° C)
- ✦ Storage Temperature ... -4° to 140° F (-20° to 60° C)
- ✦ Depth Certification ..... 1000 ft. (305m)
- ✦ Radiation Tolerance . 2x10<sup>4</sup> (total dose)/200 rad/hr

## CABLE

- ✦ Diameter ..... 0.25" (6.35mm)
- ✦ Jacket (40 mil) ..... Yellow, Polyurethane

## CAMERA CONTROL UNIT (CCU)

- ✦ Housing ..... Extruded Aluminum
- ✦ Dimensions ..... 5" x 3" x 1.75" (127mm x 76mm x 45mm)
- ✦ Weight (CCU-150) ..... 0.56 lb (0.254 kg)

FOR MORE INFORMATION CALL:

**480 345-0642**

Fax: 480 345-0644

## TRIPLEX™ CAMERA SYSTEM PRICING

### BLU-VUE 700 TRIPLEX™ 3-100

**BASIC POWER CONTROL PACKAGE \$1,875.00**

- ✦ **BLU-VUE 700 TRIPLEX CAMERA (\$975)**  
(700TAL-G36WH-MC4 ) Choice of Lens & LEDs
  - ✦ **100 FT POWER & VIDEO CABLE (\$650)**
  - ✦ **CCU-100 (\$250)**
- INCLUDES: 12 vdc Power Supply  
6 FT. Video Output BNC Cable

### BLU-VUE 700 TRIPLEX™ 4-100

**POWER & LIGHT CONTROL PACKAGE \$1,995.00**

- ✦ **BLU-VUE 700 TRIPLEX CAMERA (\$995)**  
(700TAL-G36WH-MC4 ) Choice of Lens & LEDs
  - ✦ **100 FT POWER & VIDEO CABLE (\$650)**
  - ✦ **CCU-150 (\$350)**
- INCLUDES: 12 vdc Power Supply  
6 FT. Video Output BNC Cable

WE ACCEPT VISA, MASTERCARD, AMERICAN EXPRESS & DISCOVER

