

700TVL HIGH RESOLUTION PLUS TRIPLEX™ DURABILITY

QUALITY YOU CAN COUNT ON, INTEGRITY YOU CAN TRUST.

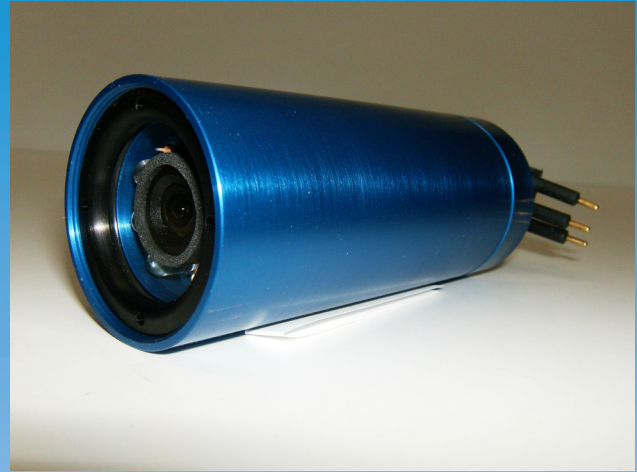
Lights Camera Action, LLC is using TriPlex™ processing... the ultimate in durability. The Blu-Vue 700 high resolution color camera exemplifies the quality design and craftsmanship our customers have come to expect. Now we are adding the patent pending TriPlex™ process giving this aluminum camera oceanographic durability. The TriPlex process will replace hard anodization allowing an aluminum bodied camera to be placed in saltwater for extended periods of time without destructive corrosion.

Tested at San Antonio SeaWorld, the main housing and back retaining ring of the Blu-Vue were TriPlex processed. The threads and the back connector slug were hard anodized. The result was that within 30 days, corrosion was visible on the hard anodized surfaces. After 6 months the slug containing the connector at the rear of the camera was corroded away but the body of the camera with TriPlex processing was still pristine.

A complete 1,000 ft. depth rated Blu-Vue 700 TriPlex 4-100 camera system with 100' of cable and controller is less than 2,300 dollars!

We stand behind the Blu-Vue Tri-Plex camera with a one-year material and workmanship warranty. No matter where you use the Blu-Vue Tri-Plex camera, Lights Camera Action LLC is committed to providing equipment quality you can count on and integrity you can trust.

Contact Lights Camera Action LLC to learn more about the Blu-Vue TriPlex series camera today!



APPLICATIONS:

- ✦ Underwater structure inspections (Dams, pillars, pipe inlets, etc.)
- ✦ Search and Rescue Operations
- ✦ Nuclear Utility Inspections
- ✦ Fisheries
- ✦ Oceanographic Research
- ✦ ROV Projects
- ✦ Machine / Robotic Inspections
- ✦ Scuba Diving Observation
- ✦ Manufacturing Quality Control
- ✦ Laboratory Research



**CCU-100 (Front)
Power Control**



**CCU-150 (Front)
Power & Light Control**



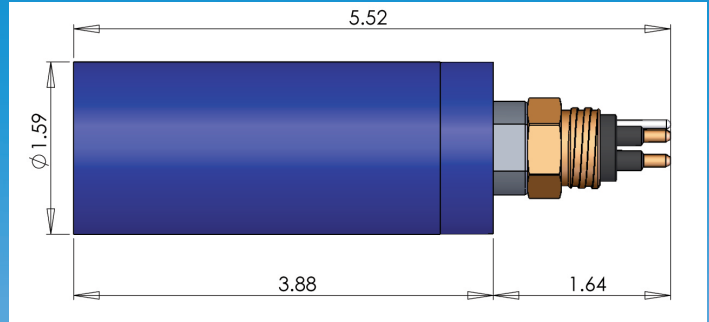
**CCU
(rear plate)**

BLU-VUE 700 TRIPLEX™ SPECIFICATIONS

BLU-VUE 700 TRIPLEX™ SERIES CAMERA

MECHANICAL

- ♦ Diameter 1.59" (40.39mm)
- ♦ Length with:
 - MCBH Connector 5.52" (140.21mm)
 - LPMBH Connector 4.75" (120.65mm)
- ♦ Weight 0.65 lb (0.295 kg)
- ♦ Housing TriPlex processed 6061 Aluminum
- ♦ Optics 3.6mm (standard)
 - Lens Options 6mm, 8mm
- ♦ Front Window Glass
 - Window Option Acrylic
- ♦ Light Options (Internal Light Ring)
 - 6 Super Bright White LEDs
 - 7 IR (infrared) LEDs



ELECTRICAL

- ♦ Image Device ... 1/3" 960H SONY ExView HAD II CCD
- ♦ Horizontal Resolution 700 TV lines
- ♦ Picture Elements NTSC: 976 (H) x 494 (V)
- ♦ Gain Control 4dB ~ 30 dB (Auto)
- ♦ Electronic Shutter.... NTSC: 1/60 ~ 1/100,000sec (Auto)
- ♦ Signal to Noise Ratio > 50dB (AGC Off)
- ♦ Illumination Sensitivity 0.005 Lux F:1.2
- ♦ Power Supply 12 VDC
- ♦ Power Consumption:
 - Camera with lights on <250mA
 - Camera with lights off <150mA
- ♦ Video Output 1Vp-p 75Ω Composite

ENVIRONMENTAL

- ♦ Operating Temp 23° to 122° F (-10° to 50° C)
- ♦ Storage Temperature -4° to 140° F (-20° to 60° C)
- ♦ Depth Certification 1000 ft. (305m)
- ♦ Radiation Tolerance .2 x 10⁴ (total dose)/200 rad/hr

CABLE:

- ♦ Diameter 0.25" (6.35mm)
- ♦ Jacket Yellow, Polyurethane

CAMERA CONTROL UNIT (CCU):

- ♦ Housing Extruded Aluminum
- ♦ Dimensions ... 5" x 3" x 1.75" (127mm x 76mm x 45mm)
- ♦ Weight (CCU-150) 0.56 lb (0.254 kg)

TRIPLEX™ CAMERA SYSTEM PRICING

BLU-VUE 700 TRIPLEX™ 3-100

BASIC POWER CONTROL PACKAGE \$2,195.00

- ♦ **BLU-VUE TRIPLEX CAMERA (\$1245)**
Choice of Lens & LEDs
- ♦ **100 FT POWER & VIDEO CABLE (\$700)**
- ♦ **CCU-100 (\$250)**
INCLUDES: 12 VDC Power Supply
6 FT. Video Output BNC Cable

BLU-VUE 700 TRIPLEX™ 4-100

POWER & LIGHT CONTROL PACKAGE \$2,295.00

- ♦ **BLU-VUE TRIPLEX CAMERA (\$1245)**
Choice of Lens & LEDs
- ♦ **100 FT POWER & VIDEO CABLE (\$700)**
- ♦ **CCU-150 (\$350)**
INCLUDES: 12 VDC Power Supply
6 FT. Video Output BNC Cable

WE ACCEPT VISA, MASTERCARD, AMERICAN EXPRESS & DISCOVER

FOR MORE INFORMATION CALL:

480 345-0642

Fax: 480 345-0644



757 N GOLDEN KEY ST · SUITE B · GILBERT, AZ 85233 · TEL: (480) 345-0642 · FAX: (480) 345-0644
E-MAIL: SALES@LIGHTS-CAMERA-ACTION.NET WEB: HTTP://WWW.LIGHTS-CAMERA-ACTION.NET