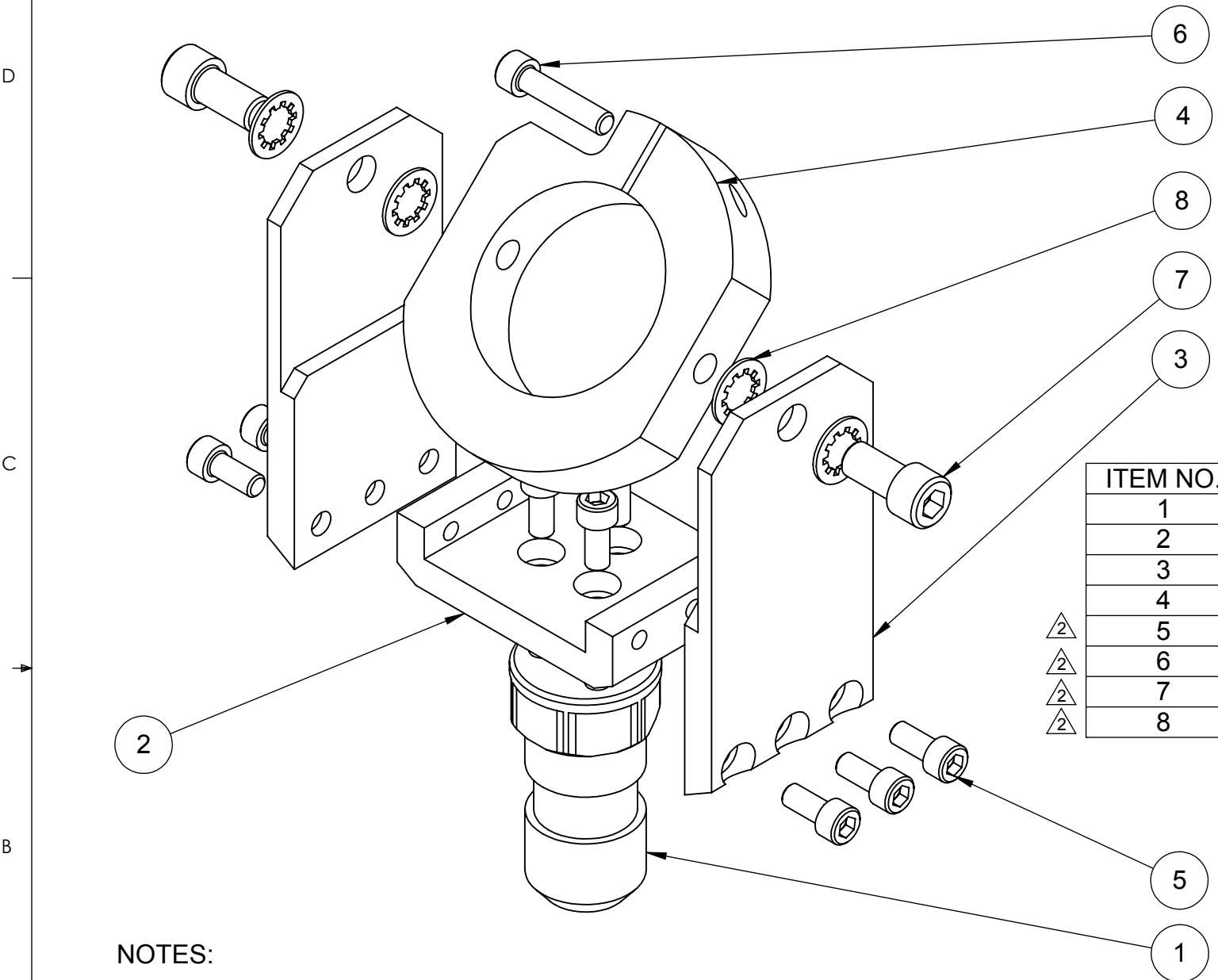


8 7 6 5 4 3 2 1

REVISIONS				
ZONE	REV.	DESCRIPTION	DATE	APPROVED
ALL	1	INITIAL RELEASE	9/26/2007	DLG



ITEM NO.	PART NUMBER	DESCRIPTION	MATERIAL	QTY.	
1	212-004	COLLAR, POSITIONER	6061 ALUMINUM	1	
2	212-005	ADAPTER PLATE	6061 ALUMINUM	1	
3	212-007	SIDE PLATE	6061 ALUMINUM	2	
4	212-008	COLLAR LOCKING	6061 ALUMINUM	1	
△2	5	92196A216	CAP SCREW 8-36 X .38 LNG	PURCHASE	9
△2	6	92196A219	CAP SCREW 8-36 X .75 LNG	PURCHASE	1
△2	7	92196A317	CAP SCREW 1/4-28 X .50 LNG	PURCHASE	2
△2	8	91757A109	1/4" TOOTH LOCK WASHER	PURCHASE	4

NOTES:

1. ANODIZE PER MIL-A-8625 TYPE II, CLASS 2, COLOR BLUE

△2 MAY BE PROCURED FROM:

McMASTER-CARR
 9630 NORWALK BLVD
 SANTA FE SPRINGS, CA 90607
 PHONE: (562) 692-5911
 URL: WWW.MCMMASTER.COM
 CAGE CODE: 3A054

PROPRIETARY AND CONFIDENTIAL
 THE INFORMATION CONTAINED IN THIS DRAWING IS THE SOLE PROPERTY OF LIGHTS, CAMERA, ACTION. ANY REPRODUCTION IN PART OR AS A WHOLE WITHOUT THE WRITTEN PERMISSION OF LIGHTS, CAMERA, ACTION IS PROHIBITED.

UNLESS OTHERWISE SPECIFIED:	NAME	DATE
DIMENSIONS ARE IN INCHES	DRAWN	D. GREGGAIN 09/26/07
TOLERANCES:	CHECKED	W. AHLAND 10/8/07
FRACTIONAL ± 1/8	ENG APPR.	
ANGULAR: MACH ± 1° BEND ± 5°	MFG APPR.	
TWO PLACE DECIMAL ±.01	Q.A.	
THREE PLACE DECIMAL ±.005	COMMENTS:	
INTERPRET GEOMETRIC TOLERANCING PER: ASME Y 14.5-1994		
MATERIAL		
SEE BOM		
FINISH		
NEXT ASSY	USED ON	
APPLICATION		

ALL PURCHASED HARDWARE MUST BE STAINLESS STEEL



TITLE: CAMERA MOUNT		
SIZE B	DWG. NO. 212-006	REV 1
SCALE: 1:1	WEIGHT:	SHEET 1 OF 4

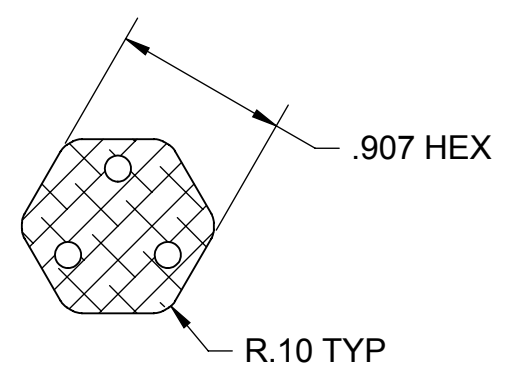
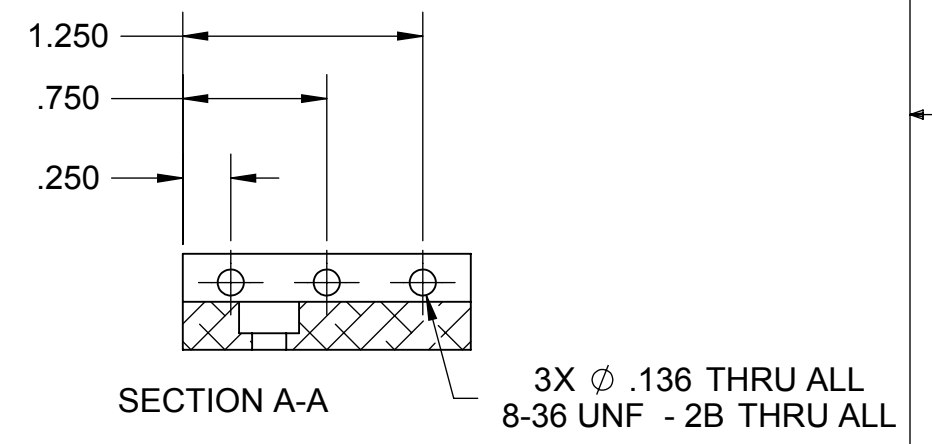
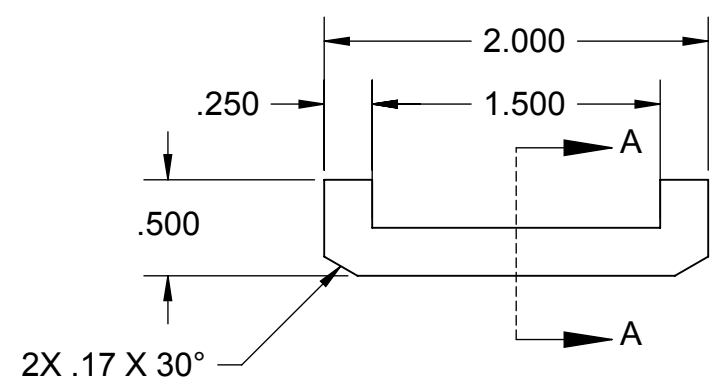
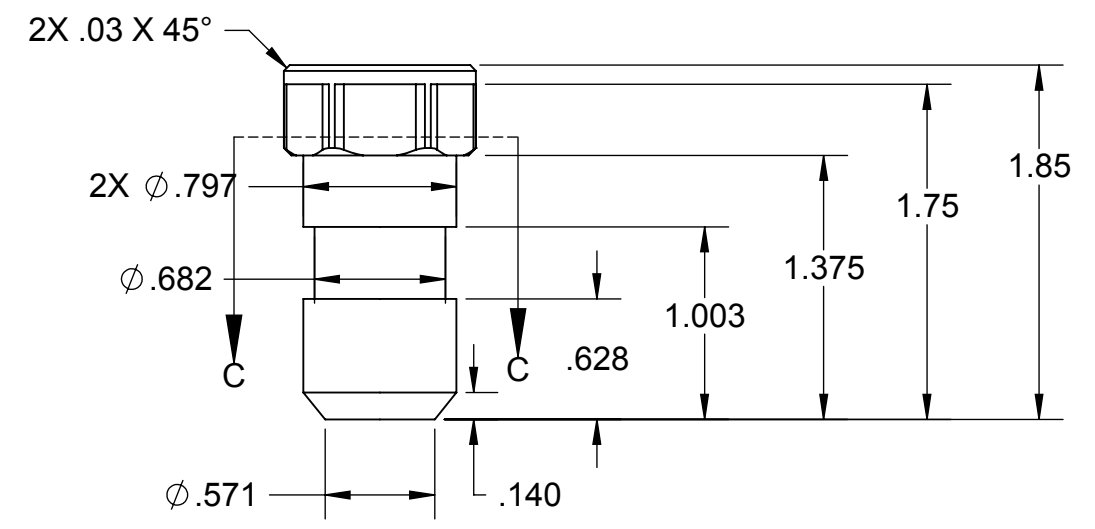
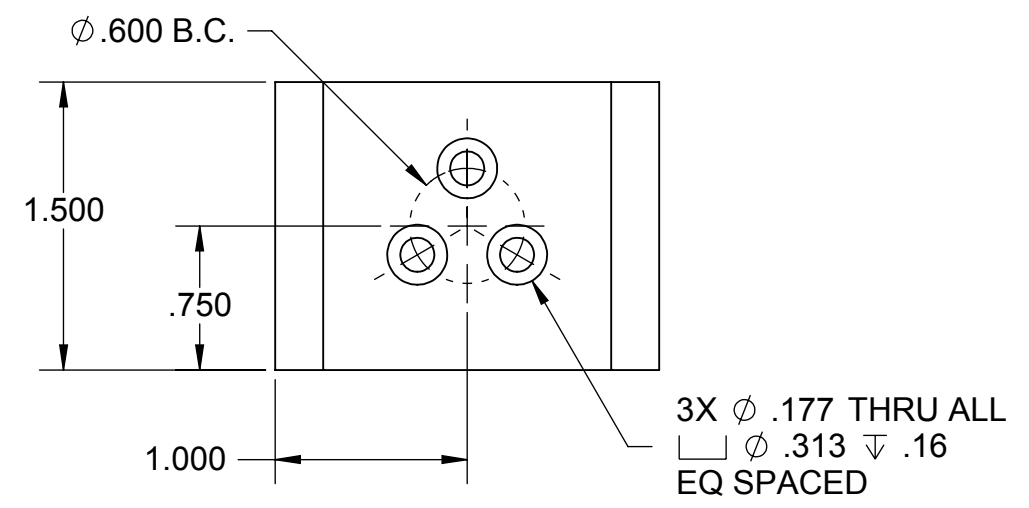
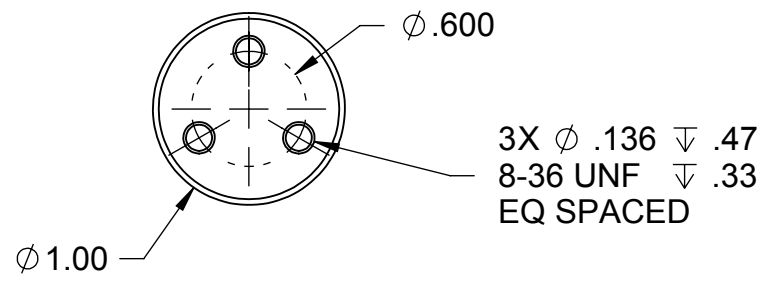
A

A

8 7 6 5 4 3 2 1

8 7 6 5 4 3 2 1

REVISIONS				
ZONE	REV.	DESCRIPTION	DATE	APPROVED
-	-	See Sheet1	-	-



PART NO: 212-004

PART NO: 212-005

PROPRIETARY AND CONFIDENTIAL
THE INFORMATION CONTAINED IN THIS DRAWING IS THE SOLE PROPERTY OF LIGHTS, CAMERA, ACTION. ANY REPRODUCTION IN PART OR AS A WHOLE WITHOUT THE WRITTEN PERMISSION OF LIGHTS, CAMERA, ACTION IS PROHIBITED.

UNLESS OTHERWISE SPECIFIED:
DIMENSIONS ARE IN INCHES
TOLERANCES:
FRACTIONAL $\pm 1/8$
ANGULAR: MACH $\pm 1^\circ$ BEND $\pm 5^\circ$
TWO PLACE DECIMAL $\pm .01$
THREE PLACE DECIMAL $\pm .005$

**LIGHTS
CAMERA
ACTION**

TITLE:
CAMERA MOUNT

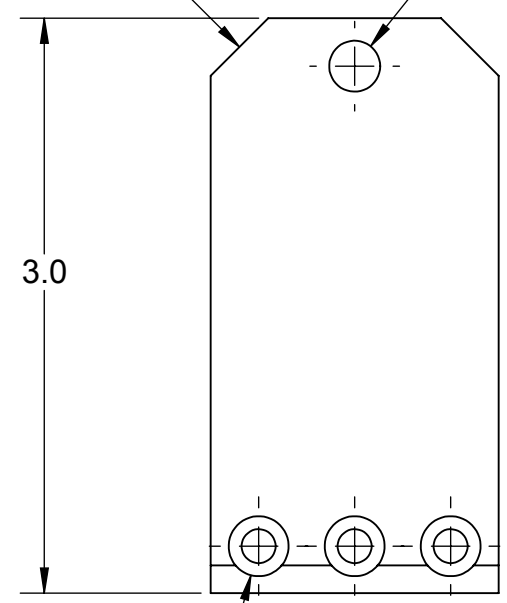
SIZE B	DWG. NO. 212-006	REV 1
SCALE: 1:1	WEIGHT:	SHEET 2 OF 4

8 7 6 5 4 3 2 1

8 7 6 5 4 3 2 1

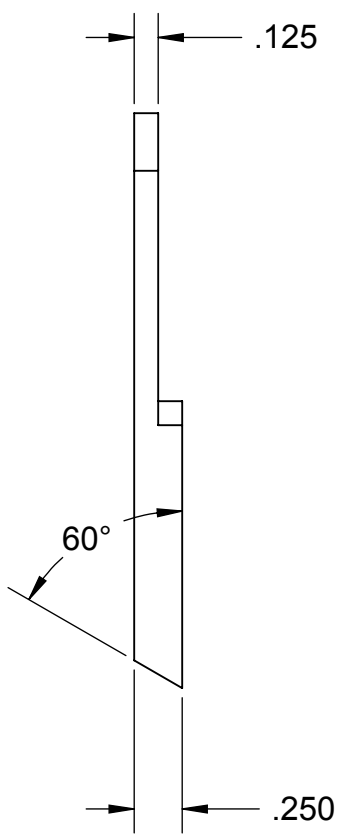
REVISIONS				
ZONE	REV.	DESCRIPTION	DATE	APPROVED
-	-	See Sheet1	-	-

2X .30 X 45° Ø .266 THRU ALL



3.0

3X Ø .177 THRU ALL
 □ Ø .313 ▽ .16

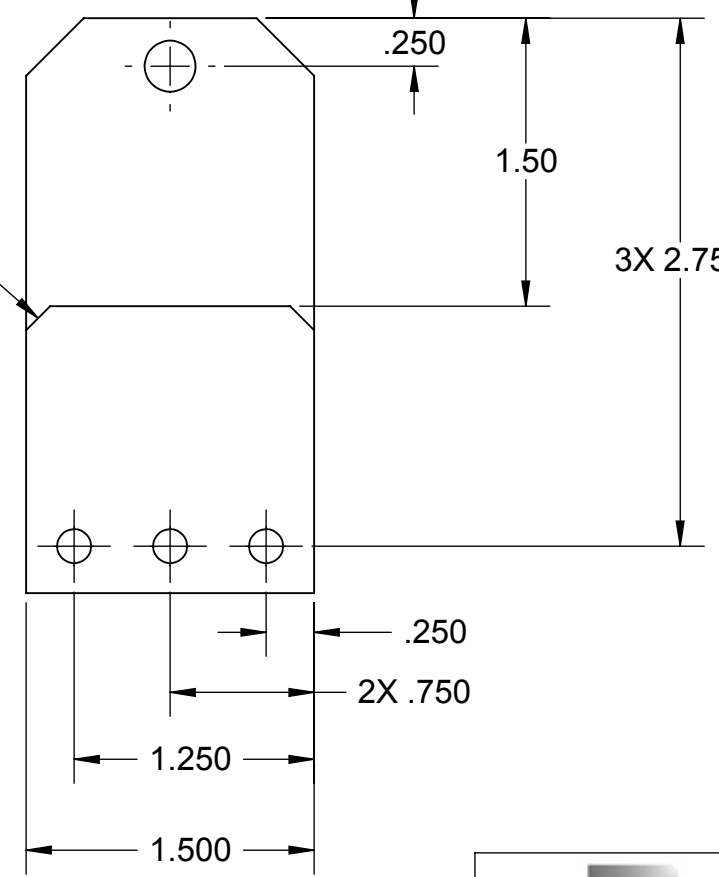


.125

60°

.250

2X .13 X 45°



.250

1.50

3X 2.750

.250

2X .750

1.250

1.500

PART NO: 212-007



TITLE:
 CAMERA MOUNT

PROPRIETARY AND CONFIDENTIAL
 THE INFORMATION CONTAINED IN THIS DRAWING IS THE SOLE PROPERTY OF LIGHTS, CAMERA, ACTION. ANY REPRODUCTION IN PART OR AS A WHOLE WITHOUT THE WRITTEN PERMISSION OF LIGHTS, CAMERA, ACTION IS PROHIBITED.

UNLESS OTHERWISE SPECIFIED:
 DIMENSIONS ARE IN INCHES
 TOLERANCES:
 FRACTIONAL ±1/8
 ANGULAR: MACH ±1° BEND ±5°
 TWO PLACE DECIMAL ±.01
 THREE PLACE DECIMAL ±.005

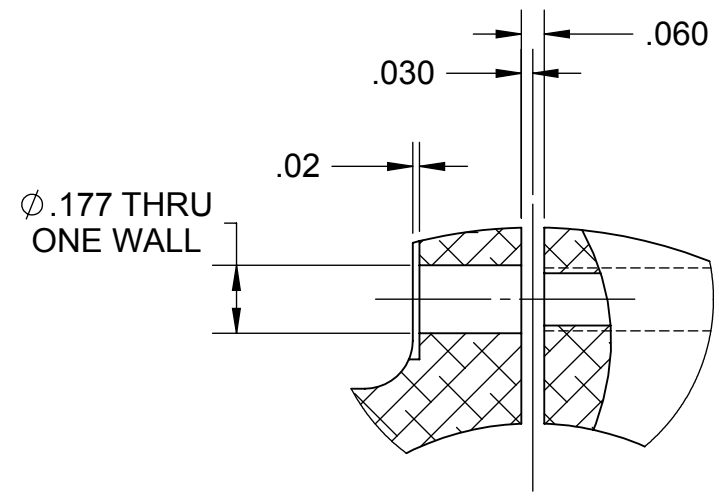
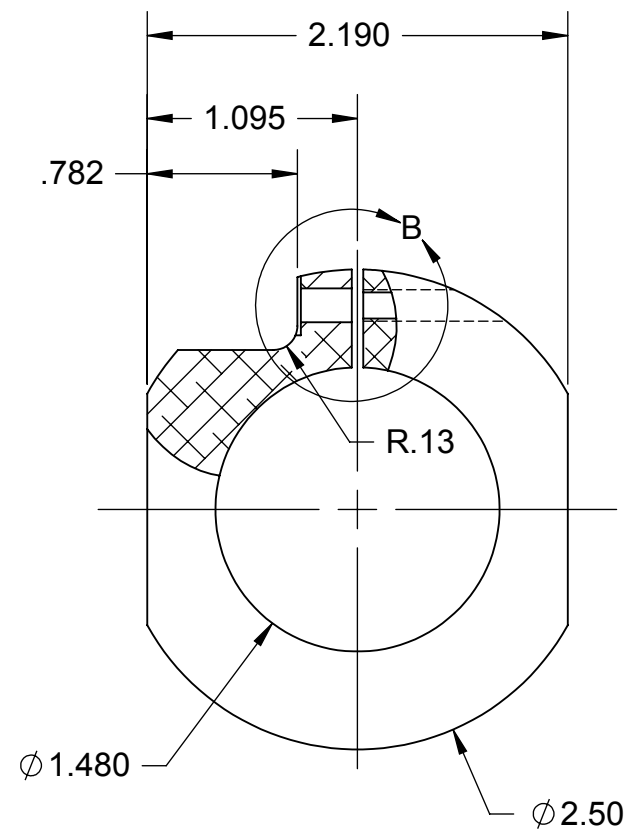
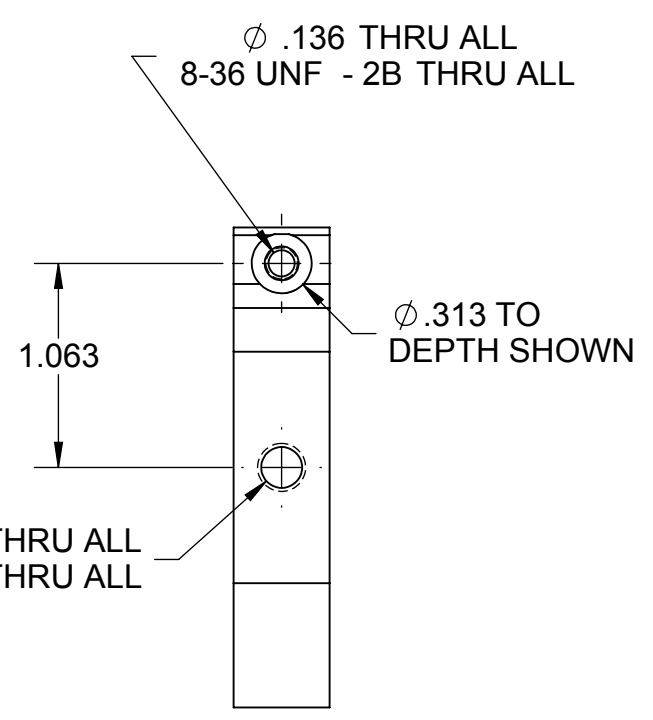
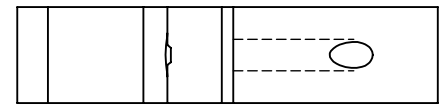
DO NOT SCALE DRAWING

SIZE B	DWG. NO. 212-006	REV 1
SCALE: 1:1	WEIGHT:	SHEET 3 OF 4

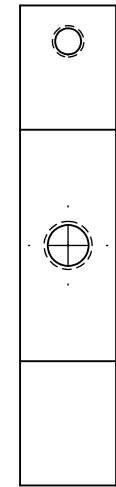
8 7 6 5 4 3 2 1

8 7 6 5 4 3 2 1

REVISIONS				
ZONE	REV.	DESCRIPTION	DATE	APPROVED
-	-	See Sheet1	-	-



DETAIL B
SCALE 2 : 1



PART NO: 212-008



TITLE:
CAMERA MOUNT

PROPRIETARY AND CONFIDENTIAL THE INFORMATION CONTAINED IN THIS DRAWING IS THE SOLE PROPERTY OF LIGHTS, CAMERA, ACTION. ANY REPRODUCTION IN PART OR AS A WHOLE WITHOUT THE WRITTEN PERMISSION OF LIGHTS, CAMERA, ACTION IS PROHIBITED.	UNLESS OTHERWISE SPECIFIED: DIMENSIONS ARE IN INCHES TOLERANCES: FRACTIONAL ±1/8 ANGULAR: MACH ±1° BEND ±5° TWO PLACE DECIMAL ±.01 THREE PLACE DECIMAL ±.005	
	DO NOT SCALE DRAWING	SCALE: 1:1
SIZE B	DWG. NO. 212-006	REV 1
WEIGHT:	SHEET 4 OF 4	

8 7 6 5 4 3 2 1