

SS-AQUACAM

Introducing the SS-AQUACAM. This sleek, low cost color camera sports a stainless steel housing and comes equipped with a 100 foot hard wired neoprene jacketed cable. A female RCA video connector supplies the video signal. The camera and 8 white LEDs are powered by a 120 VAC to 12 VDC adapter which is attached to the cable by a male barrel plug. A rheostat is built into the cable to allow the LED lights to be dimmed.

The appearance of the SS-AQUACAM is enhanced by the design of the mounting bracket which looks like wings. Applications include ROV projects, scuba diving, oceanographic research, search and rescue operations, and many more.

The SS-AQUACAM comes with a one-year warranty from the date of purchase, on both material and workmanship.

FEATURES:

- ✦ Stainless Steel Housing
- ✦ Sony 1/3" Super HAD CCD
- ✦ 540 TV Lines Resolution
- ✦ 3.6mm Lens
- ✦ 8 White LEDs
- ✦ 12 VDC power supply included
- ✦ Hard wired 100 foot cable
- ✦ Depth rated to 150 feet



APPLICATIONS:

- ✦ Underwater structure inspections (Dams, pillars, pipe inlets, etc.)
- ✦ Search and Rescue Operations
- ✦ Nuclear Utility Inspections
- ✦ Fisheries
- ✦ Oceanographic Research
- ✦ ROV Projects
- ✦ Machine / Robotic Inspections
- ✦ Scuba Diving Observation
- ✦ Manufacturing Quality Control
- ✦ Laboratory Research



SS-AQUACAM

SS-AQUACAM SPECIFICATIONS

SS-AQUACAM

MECHANICAL

- ♦ Diameter..... 1.165" (29.6mm)
- ♦ Length.....2.6" (66mm)
- ♦ Weight (w/o cable)..... 2.26 oz (0.64g)
- ♦ HousingStainless Steel
- ♦ Optics.....3.6mm
- ♦ Illumination 8 White LEDs

ELECTRICAL

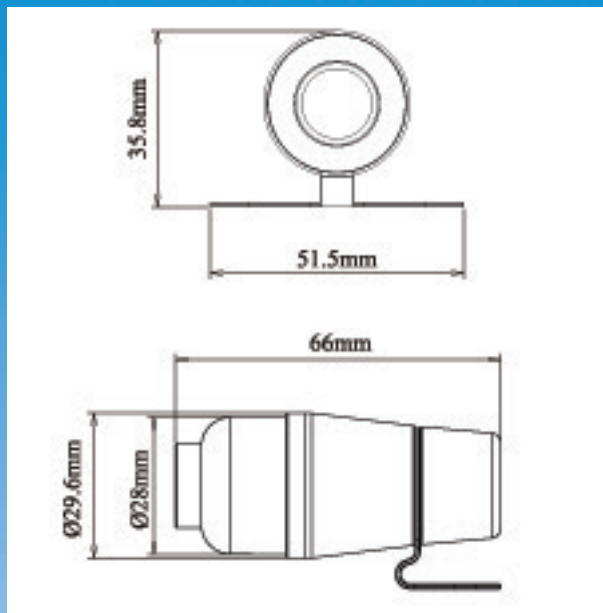
- ♦ Image Device1/3" SONY Super HAD CCD
- ♦ Horizontal Resolution540 TV lines
- ♦ Picture ElementsNTSC: 768 (H) x 492 (V)
- ♦ Gain Control.....Automatic
- ♦ Electronic Shutter..... 1/60 ~ 1/100,000 sec.
- ♦ Signal to Noise Ratio.....> 48dB
- ♦ Sync System Internal
- ♦ Illumination Sensitivity 0.0 Lux
- ♦ Power Supply 12 VDC
- ♦ Current Consumption..... 130mA
- ♦ Video Output..... 1Vp-p 75Ω Composite

ENVIRONMENTAL

- ♦ Operating Temp23° to 122° F (-10° to 50° C)
- ♦ Storage Temperature.....-4° to 140° F (-20° to 60° C)
- ♦ Humidity 10% RH - 60% RH
- ♦ Radiation Tolerance..... 2 x 10⁴

CABLE

- ♦ Diameter..... 0.25" (6.35mm)
- ♦ Jacket..... Black, Neoprene



COMPLETE SYSTEM PRICING

SS-AQUACAM	
♦ SS-AQUACAM	\$549.00
♦ 100 FT HARDWIRED NEOPREND CABLE	
♦ 120 VAC TO 12 VDC POWER SUPPLY	

WE ACCEPT VISA, MASTERCARD, AMERICAN EXPRESS & DISCOVER

FOR MORE INFORMATION CALL US

(480) 345-0642



757 N GOLDEN KEY ST. • SUITE B • GILBERT, AZ 85233-3811 • TEL: (480) 345-0642 • FAX: (480) 345-0644
 E-MAIL: SALES@LIGHTS-CAMERA-ACTION.NET WEB: HTTP://WWW.LIGHTS-CAMERA-ACTION.NET